



ALACO
Ladder Company

888-310-7040 www.alacoladder.com

Library Ladder Fax Back Estimate Form

When completed, fax all 3 pages to 909-591-7565

How to order or get an estimate on your ladder
Complete all the information and fax back all 3 pages.
We will contact you with an estimate or to arrange delivery of your Library Ladder and Track.

Contact _____

Company _____

Address _____

City _____ State _____ Zip _____

Phone _____ Fax _____

Email _____

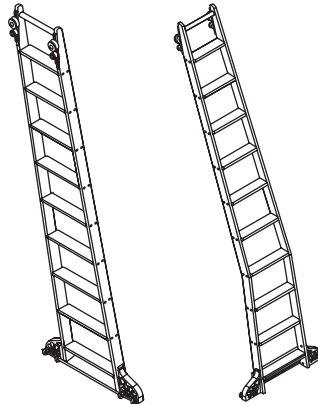
1. Make Ladder Choices

Check all boxes that apply.

Specify Ladder

Straight

Bent
(To clear obstruction)



Specify Material

Material:

Wood Aluminum

Wood Type:

Birch Cherry Mahogany
 Maple Red Oak White Oak
 Walnut Alder Specify Other: _____

Wood Finish:

Unfinished Clear Finish Gloss Satin
 Specify Minwax Stain: _____

Aluminum Ladder:

Aluminum loft ladders come standard with no finish.
Ladders can be powdercoated in the following standard colors. Optional colors are also available.

Matte Black Gloss Black Beige Metallic
 Matte White Gloss White Specify Other: _____

Specify Handrails

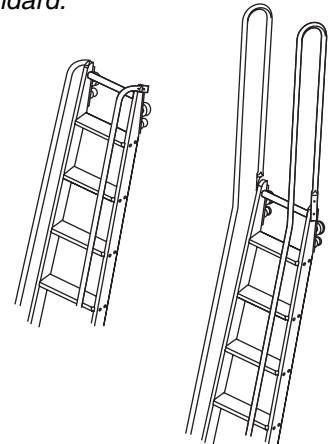
Handrails do not come standard.

Flush Handrails:

Left Side
 Right Side
 Both Sides

Extended Handrails:

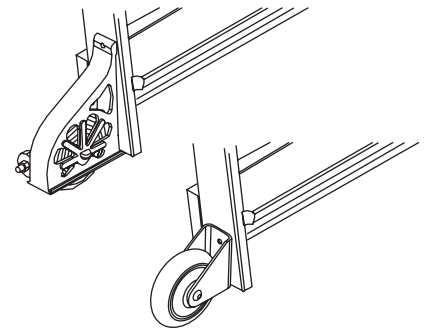
Left Side
 Right Side
 Both Sides



Specify Wheel Housing

Sunburst Pattern
(Wood only)

Contemporary
 Aluminum
 Wood





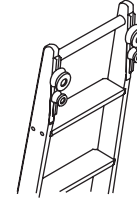
Specify Hardware Finish

All hardware, including wheel housing, upper roller assembly, handrails, metal track (if ordered), brackets, braces and bolts will be done in this finish.

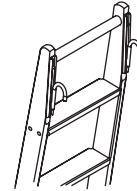
- Chrome: Polished Satin
- Nickel: Polished Satin Antique
 Polished Black
- Copper: Polished Satin Antique
- Brass: Polished Satin Antique
 Heavy/No Lacquer
- Bronze: Antique/Oil Rub
- Powdercoated Finishes:
 - Matte Black Gloss Black
 - Matte White Gloss White
 - Beige Metallic

Specify Upper Assembly

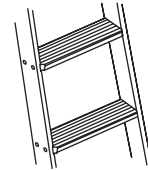
- Roller Assembly**
For affixed rolling ladder.



- Hook Assembly**
For a removable ladder.



- Optional Safety Tread**
No-slip tread added to all steps (wood only)



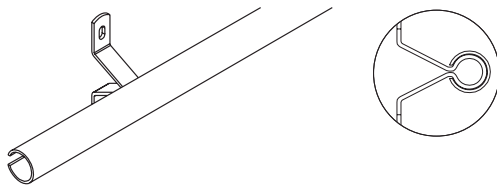
2. Make Track & Bracket Choices

Check the box that applies.
See Step 3 for specifying Curved Tracks.

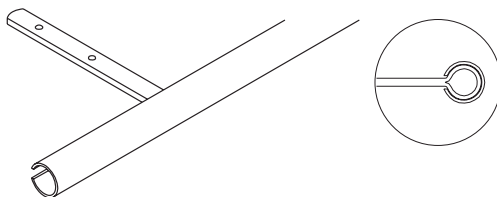
For Steel Tracks

Track and brackets to match specified hardware finish.
Brackets must be mounted no more than every 48".

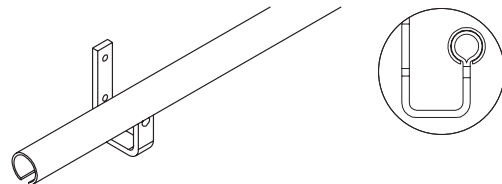
- Vertical Brackets for Ladders with Roller Assembly**



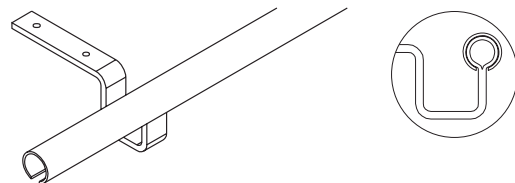
- Horizontal Brackets for Ladders with Roller Assembly**



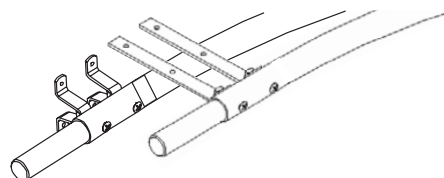
- Vertical Brackets for Ladders with J Hook Assembly**



- Horizontal Brackets for Ladders with J Hook Assembly**



- Steel Curved Track for Corners**
Made in steel only. Finished to match steel track.
In 45° or 90°, with standard 34-1/2" radius.
Custom curves available.

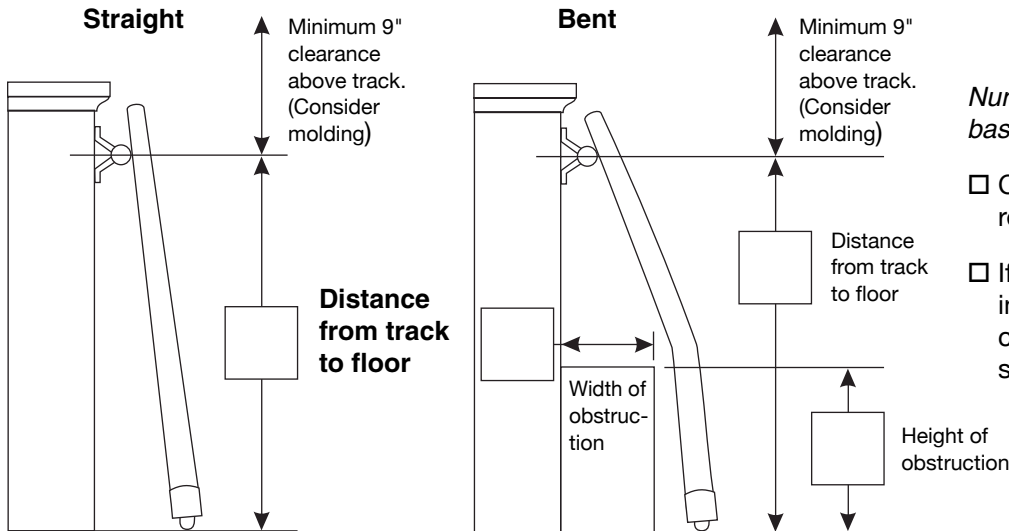




3. Provide Dimensions

Fill in all dimensions that apply.

Library Ladder Dimensions



Number of brackets supplied will be based on 30" spacing.

- Check here if mounting surfaces require more brackets.
- If you would like ALACO to assist you in figuring your dimensions, please check this box and fax us a separate sketch of your room or floor plans.

Track Dimensions

